

ROOM CONTROLLERS WITH PROPORTIONAL OUTPUT FOR 2- OR 4- PIPE SYSTEMS



DBTA-335

FUNZIONE

2- or 4- pipe fan coil control for room temperature applications with:

- knob for temperature setting
- proportional output 0...10 Vdc;
- adjustable proportional band;

- adjustable dead zone;
- manual season change over switch;
- 3 motor speed switch (model DBTA-335-933);
- internal or remote temperature sensor (optional).

TYPE	3- SPEED	LOCAL S/W (2- PIPE)	LOCAL S/W (4- PIPE)
DBTA-335-933	•	•	zn
DBTA-335-993		•	zn

zn dead zone

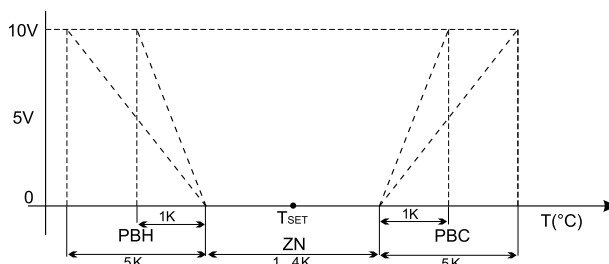
On request:

Optional remote 1 m cable sensor, selectable by jumper; ordering code: NTB010-623.

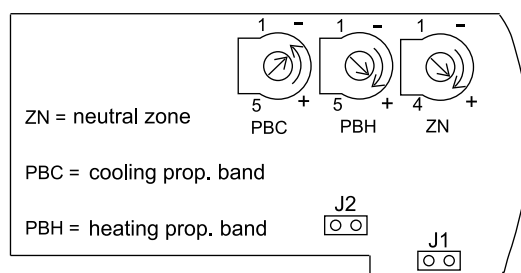
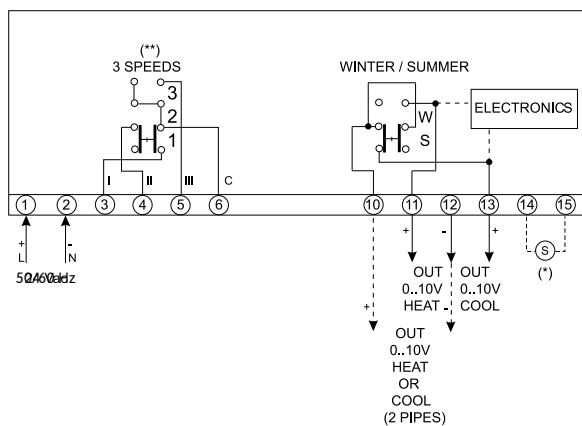
TECHNICAL FEATURES

- Power supply:** 24 Vac \pm 10%, 50/60 Hz
Max load: 6 A (speeds)
Output: proportional 0...10 Vdc ($R_L > 10$ kOhm)
Power cons: 1 W
Sensor: NTC 100K
Setpoint: +5...+30 °C; mechanical limitation of the setpoint adjustment
Differential: 0.5 K
Prop. band: 1...5 K
Dead zone: 1...4 K
Working: 0...+40 °C;
 10...90% r.h. (non condensing)
Storage: -20...+70 °C
 < 95 % r.h.
Housing: ABS self-extinguished according to UL94 V-0
 color (RAL 9010)
Protection: IP30, class II
Dimension: 144 x 82 x 34 mm
Weight: 210 g

Logic of output in 4- pipe systems.



ELECTRICAL WIRING



J1 closed = internal sensor
 J2 closed = remote sensor

The products are factory supplied with internal sensor jumper setting.

(*) remote sensor (optional)

(**) only for models DBTA-335-933

